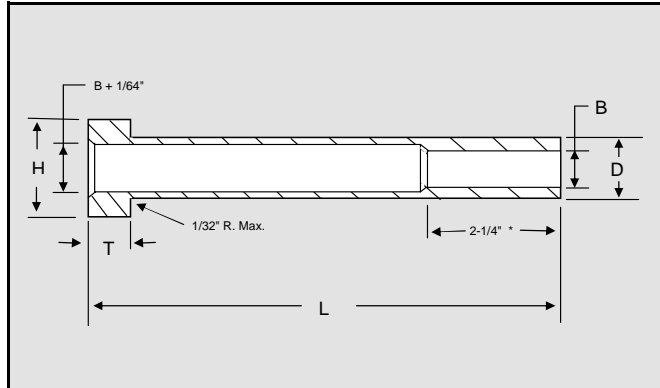


ESL Type Nitrided O.D. & I.D.

Material: H-13, Nitrided O.D. & I.D. 65-74 Rc

TOLERANCES				
I.D.	O.D.	HEAD DIA.	HEAD THICK	O.A.L.
B	D	H	T	L
+0.0005"	-0.0003"	+0.000"	+0.000"	+0.125"
-0.0000"	-0.0008"	-0.010"	-0.002"	-0.000"

HOW TO ORDER: Specify		
Quantity	Catalog No.	Length
6	ESL-25	L-5"
24	ESL-17	L7"



REGAL CATALOG NUMBER	B	D	H	T	NET PRICE EACH (US\$)				
					LENGTHS				
					L-3"	L-4"	L-5"	L-6"	L-7"
ESL-13	3/32	3/16	3/8	3/16	26.35	28.65	31.45	33.95	37.00
ESL-15	1/8	7/32	13/32	3/16	25.10	27.90	30.90	33.45	36.50
ESL-17	5/32	1/4	7/16	3/16	-	21.30	22.30	24.10	26.35
ESL-21	3/16	5/16	1/2	1/4	-	21.80	23.05	25.10	27.65
ESL-23	7/32	11/32	9/16	1/4	-	22.05	23.60	25.60	28.40
ESL-25	1/4	3/8	5/8	1/4	-	22.55	24.10	26.35	28.90
ESL-29	5/16	7/16	11/16	1/4	-	23.05	25.60	28.15	30.90
ESL-33	3/8	1/2	3/4	1/4	-	23.60	27.90	30.40	33.45
ESL-37	7/16	5/8	7/8	1/4	-	25.35	30.40	35.50	38.50
ESL-39	1/2	11/16	15/16	1/4	-	26.60	31.45	37.00	40.55
ESL-41	9/16	3/4	1"	1/4	-	33.00	36.50	40.00	44.00
ESL-45	5/8	7/8	1-1/8	1/4	-	37.50	41.00	45.00	49.00
ESL-47	3/4	1"	1-1/4	1/4	-	41.50	45.50	49.50	54.00

REGAL CATALOG NUMBER	B	D	H	T	NET PRICE EACH (US\$)				
					LENGTHS				
					L-8"	L-9"	L-10"	L-11"	L-12"
ESL-13	3/32	3/16	3/8	3/16	43.55	-	53.80	-	-
ESL-15	1/8	7/32	13/32	3/16	40.25	-	49.00	-	-
ESL-17	5/32	1/4	7/16	3/16	28.90	31.95	36.00	-	-
ESL-21	3/16	5/16	1/2	1/4	30.40	33.45	37.50	41.50	46.50
ESL-23	7/32	11/32	9/16	1/4	31.45	35.50	39.05	-	-
ESL-25	1/4	3/8	5/8	1/4	31.95	36.00	40.05	44.50	49.50
ESL-29	5/16	7/16	11/16	1/4	34.45	38.50	42.55	47.50	52.50
ESL-33	3/8	1/2	3/4	1/4	37.00	44.05	45.60	50.50	56.00
ESL-37	7/16	5/8	7/8	1/4	42.55	46.60	51.20	56.50	62.00
ESL-39	1/2	11/16	15/16	1/4	44.60	49.15	54.20	59.50	65.00
ESL-41	9/16	3/4	1"	1/4	48.00	53.00	57.50	63.00	68.50
ESL-45	5/8	7/8	1-1/8	1/4	53.50	58.50	63.50	69.50	75.00
ESL-47	3/4	1"	1-1/4	1/4	58.50	64.00	69.50	75.00	81.50

Regal Components, Inc.

4733 122nd Ave. N., Clearwater, FL 33762

Ph: 727-572-6208 Fax: 727-499-7109 E-Mail: sales@regalcomps.com www.regalcomps.com